

DS-2TXS2628-10P/QA/GLT/CH36S80 Solar-powered Thermal Camera Kit



Hikvision Solar-powered Thermal Camera Kit series features high accurate VCA and temperature exception alarm for fire prevention. Supporting multiple standards including GSM, WCDMA and 4G LTE, the camera setups connect easily and wirelessly to the internet over mobile networks. The camera series is embedded with audible alert and strobe light. It can be used in construction sites, farms, mobile tower, etc.

- 256 × 192 resolution, 12 μm, VOx UFPA, NETD < 40 mK (25°C, F1.0)
- Video content analysis: vehicle/human classification
- 80 W photovoltaic panel, 36 Ah chargeable lithium battery
- Temperature exception alarm for fire prevention, -20°C to 150°C (-4°F to 302°F), ± 8°C (± 14.4°F)
- LTE-TDD/LTE-FDD/WCDMA 4G wireless network transmission, support Micro SIM card
- Water and dust resistant (IP67)
- Embedded audible alert and strobe light
- High quality detector with 10 years guarantee

▪ Specification

Thermal Module	
Image Sensor	Vanadium Oxide Uncooled Focal Plane Arrays
Resolution	256 x 192
Pixel Pitch	12 μ m
NETD	≤ 40 mK (@25° C, F# = 1.0)
Focal Length	9.7 mm
IFOV	1.24 mrad
Aperture	F1.0
Field of View	18.0° × 13.5° (H × V)
Min. Focusing Distance	1.5 m
Digital Zoom	×2, ×4
Optical Module	
Image Sensor	1/2.7" Progressive Scan CMOS
Resolution	2688 × 1520
Min. Illumination	0.0089Lux @(F1.6,AGC ON) ,0 Lux with IR
Field of View	39.4°(H) x22.1°(V)
Focal Length	8 mm
Shutter Speed	1 s to 1/100,000 s
White Balance	MWB/AWB1/Locked WB/Fluorescent Lamp/Incandescent Lamp/Warm Light Lamp/Natural Light
Day & Night Mode	IR Cut Filter with Auto Switch
WDR	120 dB
Image Effect	
Bi-spectrum Image Fusion	Display the details of optical channel on thermal channel
Target Coloration	Yes. Supported in white hot and black hot mode
Illuminator	
IR Distance	Up to 30 m
IR Intensity and Angle	Automatically adjusted
Audible and Visual Alarm	
White Light Range	Up to 30 m
Visual Alarm	Yes. White light alarm with adjustable flashing frequencies
Audio alarm	Yes, for three types of audible alarm (VCA and Temperature Exception) 3 preset voice alerts (one for each) 6 importable user-defined voice alerts (6 options shared in the two types)
Smart Function	
VCA	4 VCA rule types (line crossing, intrusion, region entrance, and region exiting), up to 8 VCA rules in total.
Temperature Measurement	3 temperature measurement rule types, 21 rules in total (10 points, 10 areas, and 1 line)
Temperature Range	-20°C to 150°C (-4°F to 302°F)
Temperature Accuracy	$\pm 8^{\circ}$ C ($\pm 14.4^{\circ}$ F)

Video and Audio	
Main Stream	Thermal: 25 fps (1280 × 720, 704 × 576, 640 × 512, 320 × 240) Optical: 50 Hz: 25 fps (2688 × 1520, 1920 × 1080, 1280 × 720) 60Hz: 30 fps (2688 × 1520, 1920 × 1080, 1280 × 720)
Sub-stream	Thermal: 25 fps (704 × 576, 640 × 512, 320 × 240) Optical: 50 Hz: 25 fps (704 × 576, 352 × 288) 60 Hz: 30 fps (704 × 480, 352 × 240)
Video Compression	Main Stream: H.265/H.264 Sub-Stream: H.265/H.264/MJPEG
Audio Compression	G.722.1/G.711ulaw/G.711alaw/MP2L2/G.726/PCM
Network	
Protocols	IPv4/IPv6,HTTP,HTTPS,802.1x,Qos,FTP,SMTP,UPnP,SNMP,DNS,DDNS,NTP,RTSP,RTCP, RTP,TCP,UDP,IGMP,ICMP,DHCP,PPPoE,Bonjour,SFTP,SRTSP
Network Storage	MicroSD/SDHC/SDXC card (32G inside) (up to 256 G) local storage, NAS (NFS, SMB/CIFS), Auto Network Replenishment (ANR)
API	ISAPI, HIKVISION SDK, and third-party management platform, Open Network Video Interface (Profile S, Profile G)
Simultaneous Live View	Up to 20 channels
User/Host level	Up to 32 users, 3 levels: Administrator, Operator, User
Security	User authentication (ID and Password), MAC address binding, HTTPS encryption, IEEE 802.1x(EAP-MD5, EAP-TLS), access control, IP address filtering
Client	iVMS-4200, Hik-Connect
Mobile Communication	
SIM Card Type	MicroSIM
Frequency	LTE FDD: B 1/3/5/7/8/20/28 LTE TDD: B 38/40/41 WCDMA: B 1/5/8
Standard	LTE FDD/LTE TDD/WCDMA
Interface	
Alarm Input	2, alarm input (0-5 VDC)
Alarm Output	2, alarm output (alarm response actions configurable)
Alarm Action	Linkage Method Trigger recording: memory card, network storage, pre-record and post-record Trigger captured pictures uploading: FTP, SFTP, HTTP, NAS, Email Trigger notification: HTTP, ISAPI, alarm output, Email
Audio Input	1, 3.5 mm Mic in/Line in interface Line input: 2 to 2.4 V [p-p], output impedance: 1 K Ω \pm 10%
Audio Output	Linear level, impedance: 600 Ω
Communication Interface	1, RJ45 10 M/100 M Self-adaptive Ethernet interface. 1, RS-485 interface (half duplex)

General	
Menu Language	32 languages English, Russian, Estonian, Bulgarian, Hungarian, Greek, German, Italian, Czech, Slovak, French, Polish, Dutch, Portuguese, Spanish, Romanian, Danish, Swedish, Norwegian, Finnish, Croatian, Slovenian, Serbian, Turkish, Korean, Traditional Chinese, Thai, Vietnamese, Japanese, Latvian, Lithuanian, Portuguese (Brazil)
Power Supply	12 VDC \pm 25%, ϕ 5.5 mm coaxial power plug PoE (802.3af, class 3)
Power Consumption	Thermal only mode power consumption: 2.28W The average power consumption of 24 hours: 2.51W The max. power consumption: 6.24W (IR light on) standby power consumption: 0.39W
Working Temperature/Humidity	Temperature: -40°C to 65°C (-40°F to 149°F) Humidity: 95% or less
Protection Level	IP67 Standard ,IK10-rated housing TVS 4000V lightning protection, surge protection, voltage transient protection
Dimensions	208.9 mm \times 106 mm \times 105.2 mm (8.22" \times 4.17" \times 4.14")
Adjustment Range	Bullet camera: Tilt: -10 ° to +45°, Pan: -180 ° to +180° Photovoltaic panel: Tilt: 10 ° or 30°
Mount	Pole Mount
With Package Weight	33.09kg(72.95lb)
Storage Conditions	Temperature: -40°C to 65°C (-40°F to 149°F) Humidity: 95% or less
Startup and Operating Conditions	Temperature: -40°C to 65°C (-40°F to 149°F) Humidity: 95% or less
Battery	
Battery Type	Lithium
Battery Voltage	10.8 V
Battery Capacity	360 Wh (90 Wh for each battery)
Operating Temperature	Charging: -20 °C to 45 °C (-4 °F to 113 °F) Discharging: -20 °C to 60 °C (-4 °F to 140 °F)
Battery Life	More than 500 cycles
Battery Weight	Approx. 2.74 kg (6.0 lb.)
Max. Output Voltage	12.6 V
Approval	
Protection	Camera: IP67 (IEC 60529-2013),IK10-rated housing TVS 4000V lightning protection, surge protection, voltage transient protection Wind resistance 12 level

▪ Range Table

VCA Range (Vehicles: 1.4 \times 4.0 m)	VCA Range (Humans: 1.8 \times 0.5 m)	Temperature Measurement (Object: 0.2 \times 0.2 m)	Temperature Measurement (Object: 1 \times 1 m)
203.7m	77.6m	32.3m	161.7m

▪ DORI

* The table is only for reference and the performance may vary according to different environment.

* The optimal human detection, recognition, and identification distances are calculated according to Johnson's Criteria.

Detection Range: In order to distinguish an object from the background, the object must be covered by 1.5 or more pixels.
 Recognition Range: In order to classify the object (animal, human, vehicle, etc.), the object must be covered by 6 or more pixels.

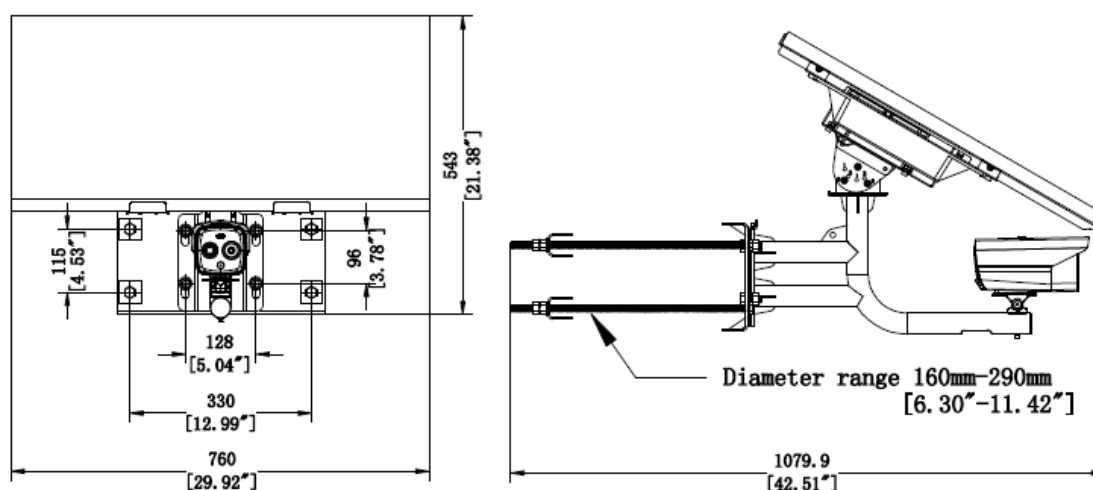
Identification Range: In order to identify the object and describe it in details, the object must be covered by 12 or more pixels.

Detection Range (Vehicles: 1.4 × 4.0 m)	Detection Range (Humans: 1.8 × 0.5 m)	Recognition Range (Vehicles: 1.4 × 4.0 m)	Recognition Range (Humans: 1.8 × 0.5 m)	Identification Range (Vehicles: 1.4 × 4.0 m)	Identification Range (Humans: 1.8 × 0.5 m)
1239m	404m	310m	101m	155m	50m

▪ Available Model

DS-2TXS2628-10P/QA/GLT/CH36S80

▪ Dimension



Unit:mm[Inch]

COMPLIANCE NOTICE: The thermal series products might be subject to export controls in various countries or regions, including without limitation, the United States, European Union, United Kingdom and/or other member countries of the Wassenaar Arrangement. Please consult your professional legal or compliance expert or local government authorities for any necessary export license requirements if you intend to transfer, export, re-export the thermal series products between different countries.

Headquarters

No.555 Qianmo Road, Binjiang District,
Hangzhou 310051, China
T +86-571-8807-5998
www.hikvision.com



Follow us on social media to get the latest product and solution information.

