

THC-T120-M 2 MP EXIR Turret Camera



- 1080p turret camera
- Smart IR: up to 20 m IR distance
- Water and dust resistant (IP66)
- 4 in 1 (4 signals switchable TVI/AHD/CVI/CVBS).

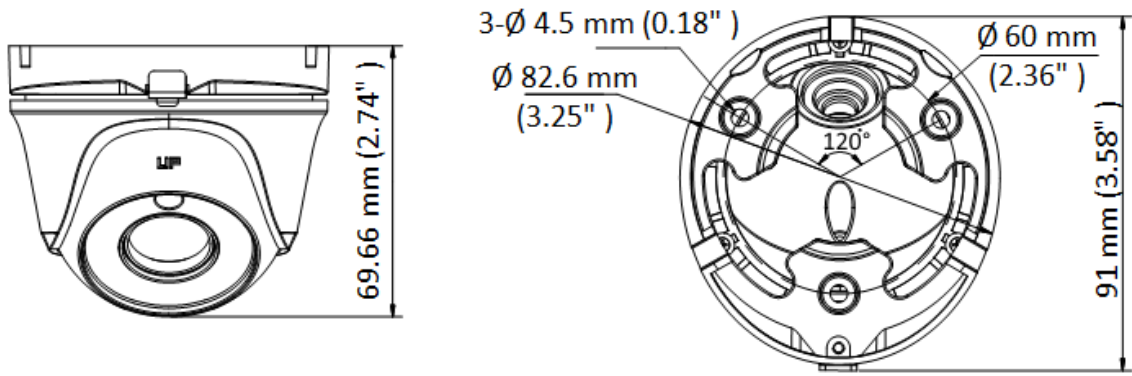
▪ Specification

Camera	
Image Sensor	2 MP CMOS
Max. Resolution	1920 (H) × 1080 (V)
Min. Illumination	0.01 Lux@(F2.0, AGC ON), 0 Lux with IR
Shutter Time	PAL: 1/25 s to 1/50,000 s; NTSC: 1/30 s to 1/50,000 s
Day & Night	IR Cut Filter
Angle Adjustment	Pan: 0 to 360°, Tilt: 0 to 75°, Rotation: 0 to 360°
Signal System	PAL/NTSC
Lens	
Lens Type	2.8 mm, 3.6 mm and 6 mm
Focal Length & FOV	103° (2.8 mm), 80.7° (3.6 mm), 50.1° (6 mm)
Lens Mount	M12
Illuminator	
Supplement Light Type	IR
Supplement Light Range	Up to 20 m
Image	
Image Settings	Brightness, Mirror, Smart IR, Sharpness, AGC
Frame Rate	PAL: 1080p@25 fps NTSC: 1080p@30 fps
Day/Night Mode	Auto/Color/BW (Black and White)
Wide Dynamic Range (WDR)	Digital WDR
Image Enhancement	BLC
Noise Reduction	2D DNR
Interface	
Video Output	Switchable TVI/AHD/CVI/CVBS, 1 HD analog output
General	
Power	12 VDC ± 15%, max. 4 W
Material	Metal
Dimension	∅ 82.6 mm × 69.66 mm (∅ 3.25" × 2.74")
Weight	230 g (0.51 lb.)
Operating Condition	-40 °C to 60 °C (-40 °F to 140 °F), humidity 90% or less (non-condensing)
Language	English
Approval	
Protection	IP66

▪ Available Model





THC-T120-M

▪ Dimension



▪ **Accessory**

▪ **Optional**

HIA-J101 Junction Box	HIA-B201 Corner Mount	HIA-B301 Vertical Pole Mount	HIA-B401-110T Wall Mount
			

HiLook

Headquarters

No.555 Qianmo Road, Binjiang District,
Hangzhou 310051, China
T +86-571-8807-5998
Technical Support: support@hikvision.com

Follow us on social media to get the latest product and solution information.

