



# Make it smart. Yale Linus<sup>®</sup> Adjustable Cylinder

**Make your door smarter with a keyless door lock designed to secure and simplify your life.**

Depending on what cylinder is currently in your door, you may need to change it in order to be compatible with the Linus<sup>®</sup> Smart Lock. The Linus<sup>®</sup> Adjustable Cylinder is guaranteed to work with the Linus<sup>®</sup> Smart Lock.

There is no need to measure your door as the adjustable cylinder is designed to expand to fit your door. Make the Linus<sup>®</sup> Adjustable Cylinder the same length as your current cylinder using the appropriate external and internal spacers.

For more information around what makes your current cylinder compatible, please see overleaf.

- EN13030 standard
- Classification code: 6 1 - B - C 5 A
- Patent pending



6 pin sawn  
key cylinder



Anti pick



Anti drill



Anti bump



Anti pull  
(7 kN)



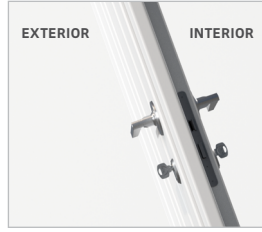
Trusted every day

You will need our Yale Linus® Adjustable Cylinder if any of the following is true for you:



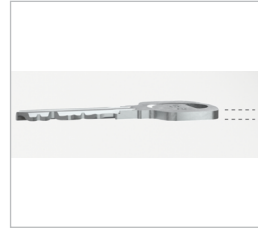
**01**

You **have** a thumbturn



**02**

You **can't** use a key on the inside and outside at the same time



**03**

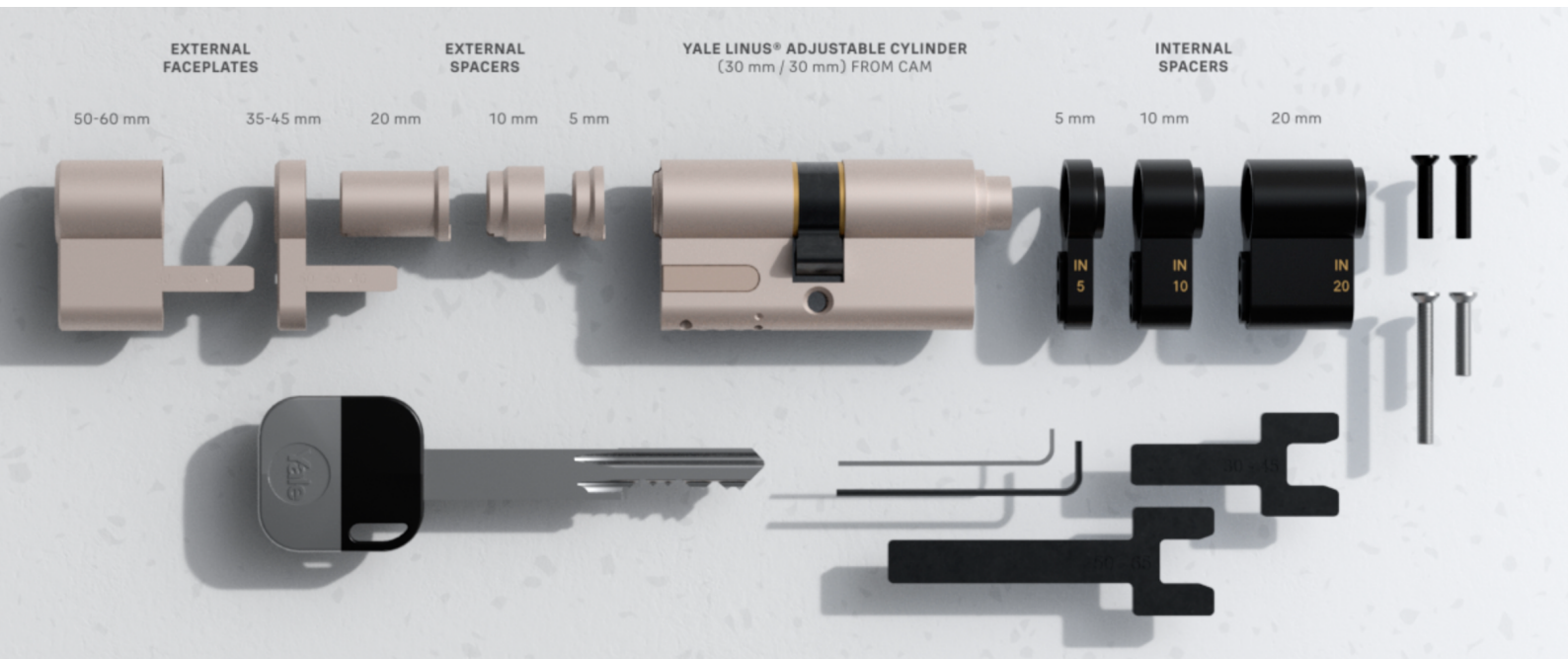
The thickness of your key is **more than 6mm**



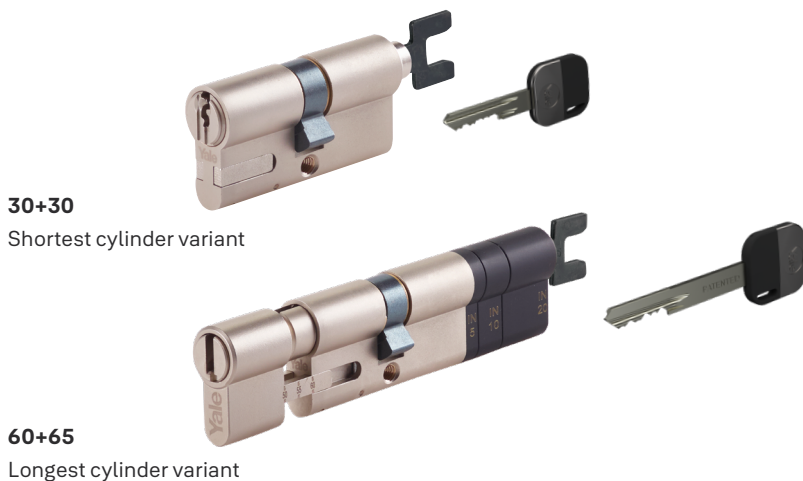
**04**

The key protrudes **more than 40mm** from the cylinder

Please check our compatibility checker on our website.



Lengths of cylinder:



Internal cylinder lengths:

- 30mm minimum - 65mm maximum
- 5mm size increments

External cylinder lengths:

- 30mm minimum - 60mm maximum
- 5mm size increments