

# PUCAR

## Manual call point

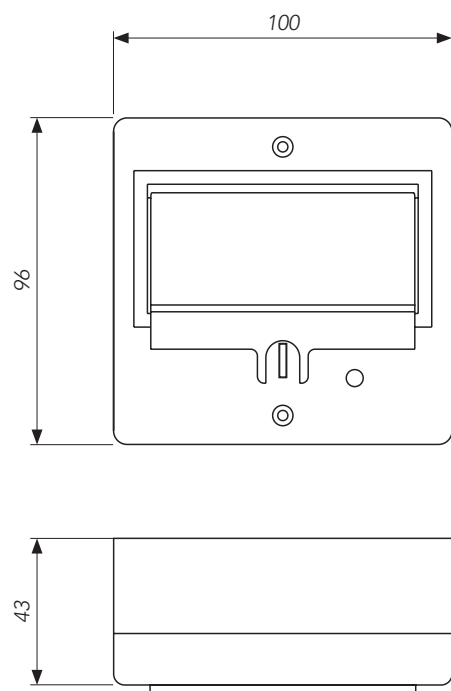
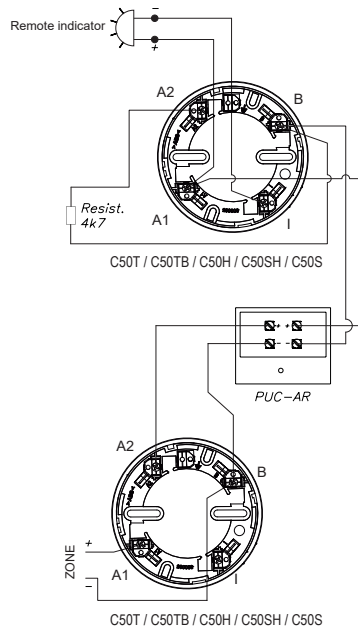


Manual call point for the conventional fire detection system.

It has an indicator of action (red led) that illuminates in case of be manually operated (alarm).

Features:

- Resettable call point by pushing yellow button on the front side.
- Transparent protector cover to avoid accidental false alarms.
- Immediate visual recognition of alarm status by the permanent activation of the LED, and the trigger of
- The yellow tab on the lower side of the activation face.
- According to EN 54-11 and CE mark according the European Regulation of Construction Products (UE N°305/2011).



### TECHNICAL FEATURES

Supply	24 - 35V with polarity
Standby consumption	0 mA
Alarm consumption	35 mA
Activation signal	Red led
Remote indicator output	No
Humidity	20 - 95% RH
Temperature	-10°C +50°C
Standard	EN 54-11
IP protection	IP 50