

CombiProtect Fibra

Wired combined indoor motion and glass break detector.



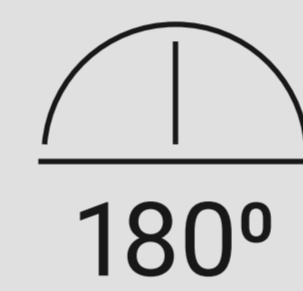
The device is compatible only with hubs supporting Fibra protocol. Find the detailed information by QR code or the link:

<https://ajax.systems/support/devices/combiprotect-fibra/>

CombiProtect Fibra is the device of the new Fibra wired product line. Such devices can only be purchased, installed and administered by accredited Ajax partners.



Up to 12 m detection distance and 88.5°/80° viewing angles



Up to 9 m glass break detection distance with 180° horizontal detection angle



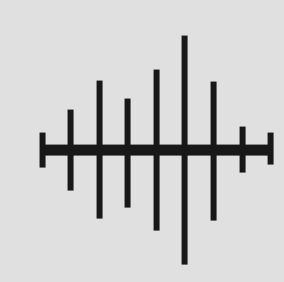
Immunity to pets with a weight of up to 20 kg and height up to 50 cm



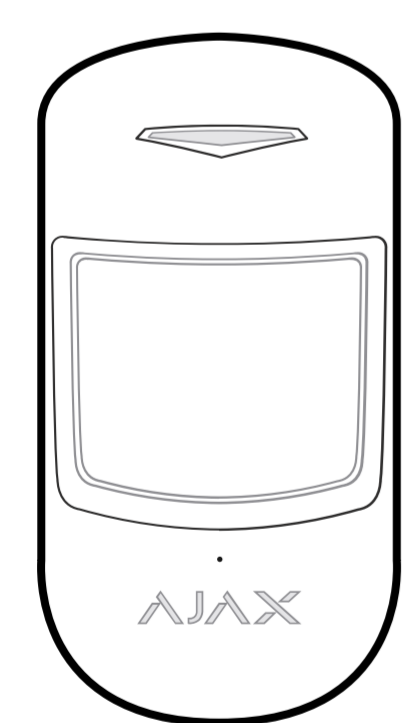
Filter for false alarms caused by dogs barking or the sound of passing trucks



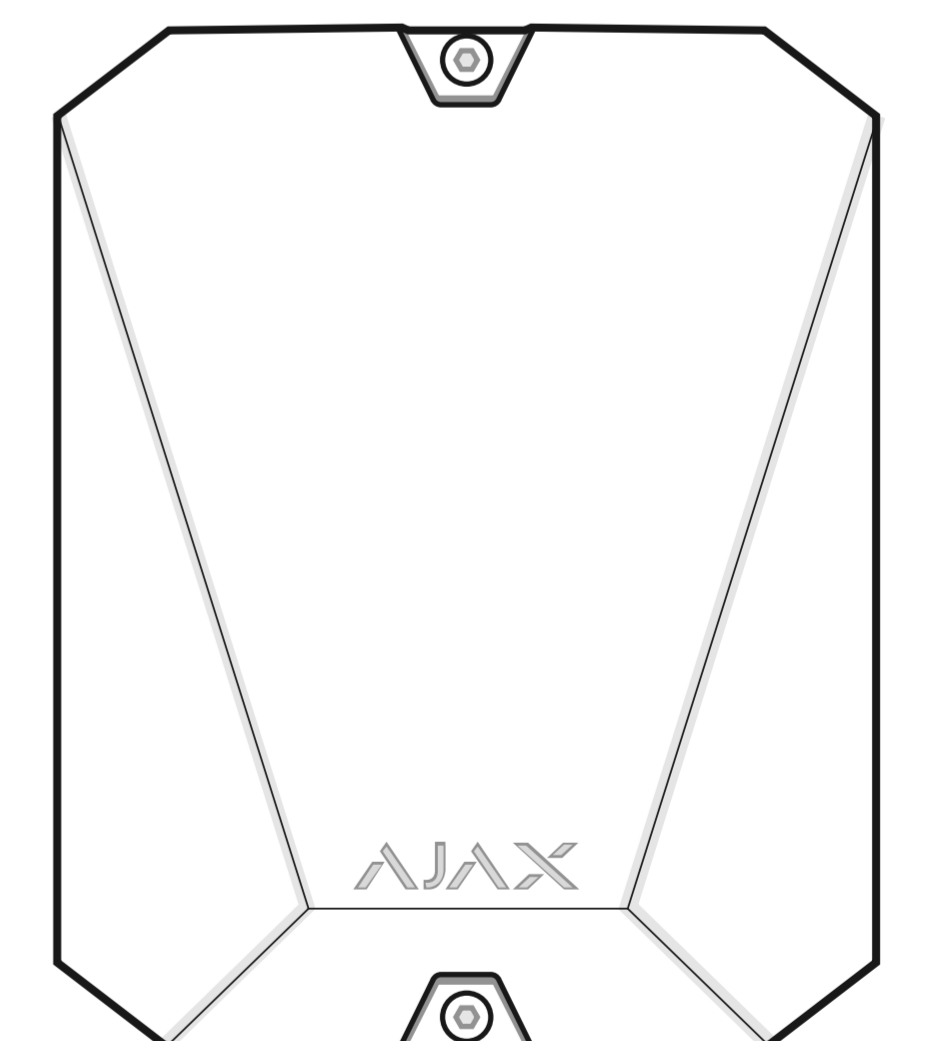
SmartDetect software algorithm to prevent false alarms



Two-factor glass break verification algorithm: by low and high frequencies



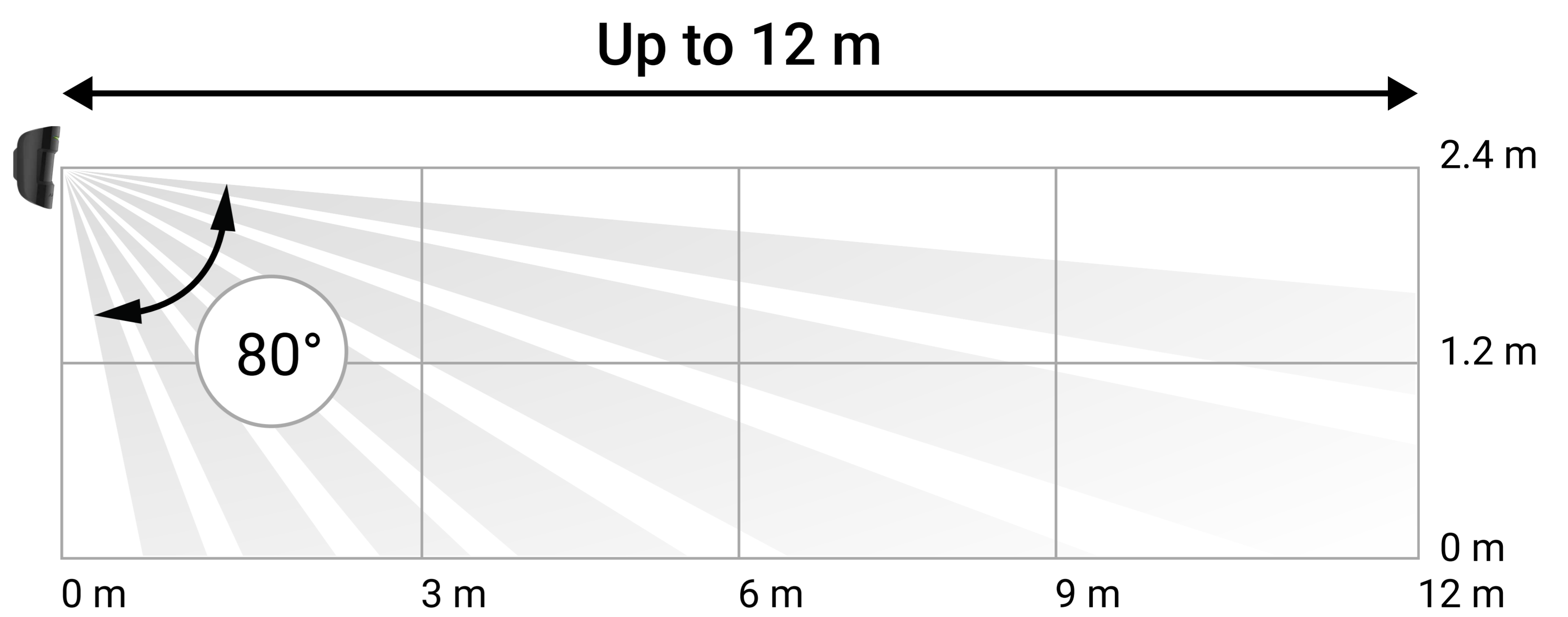
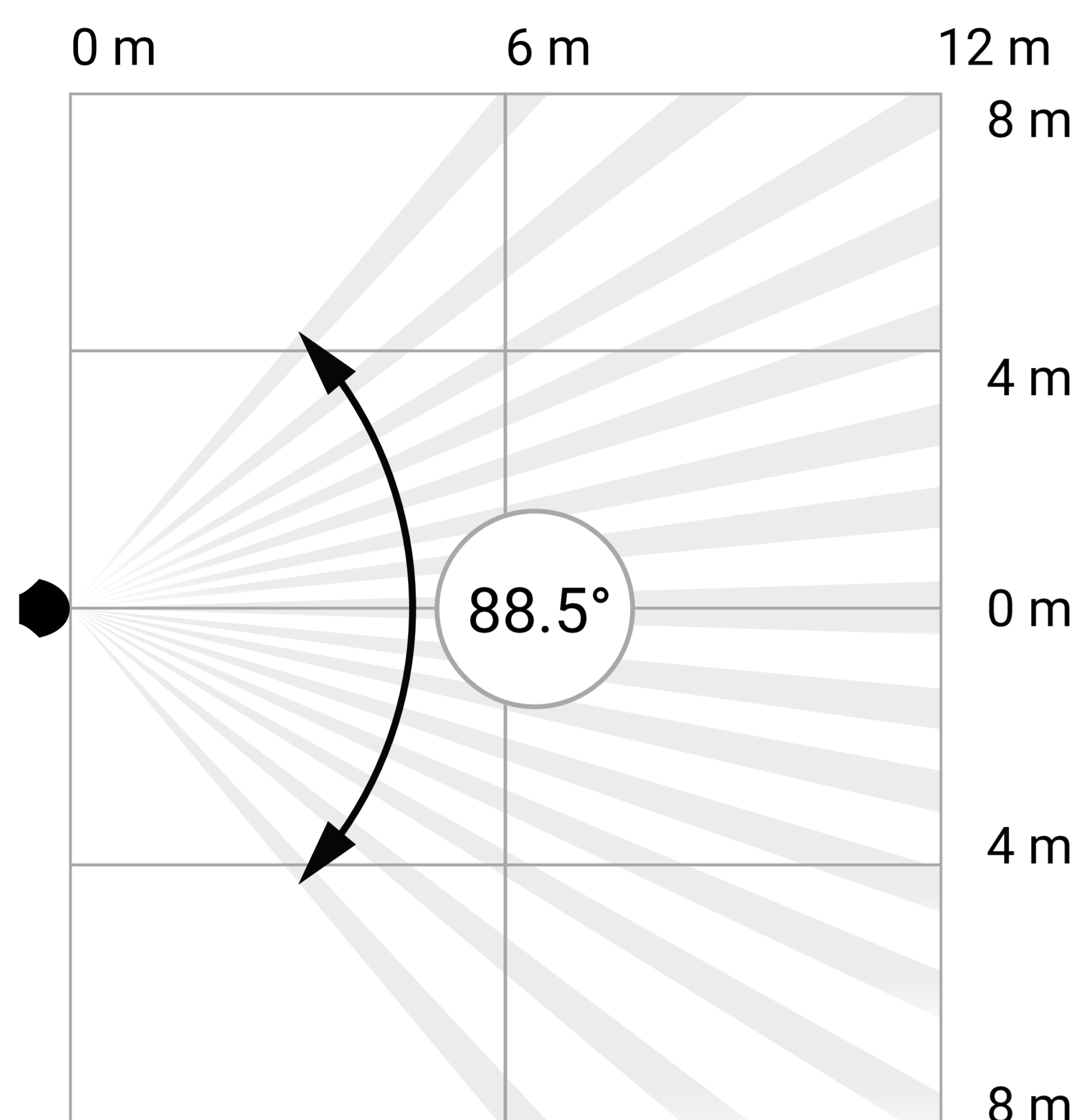
communication technology



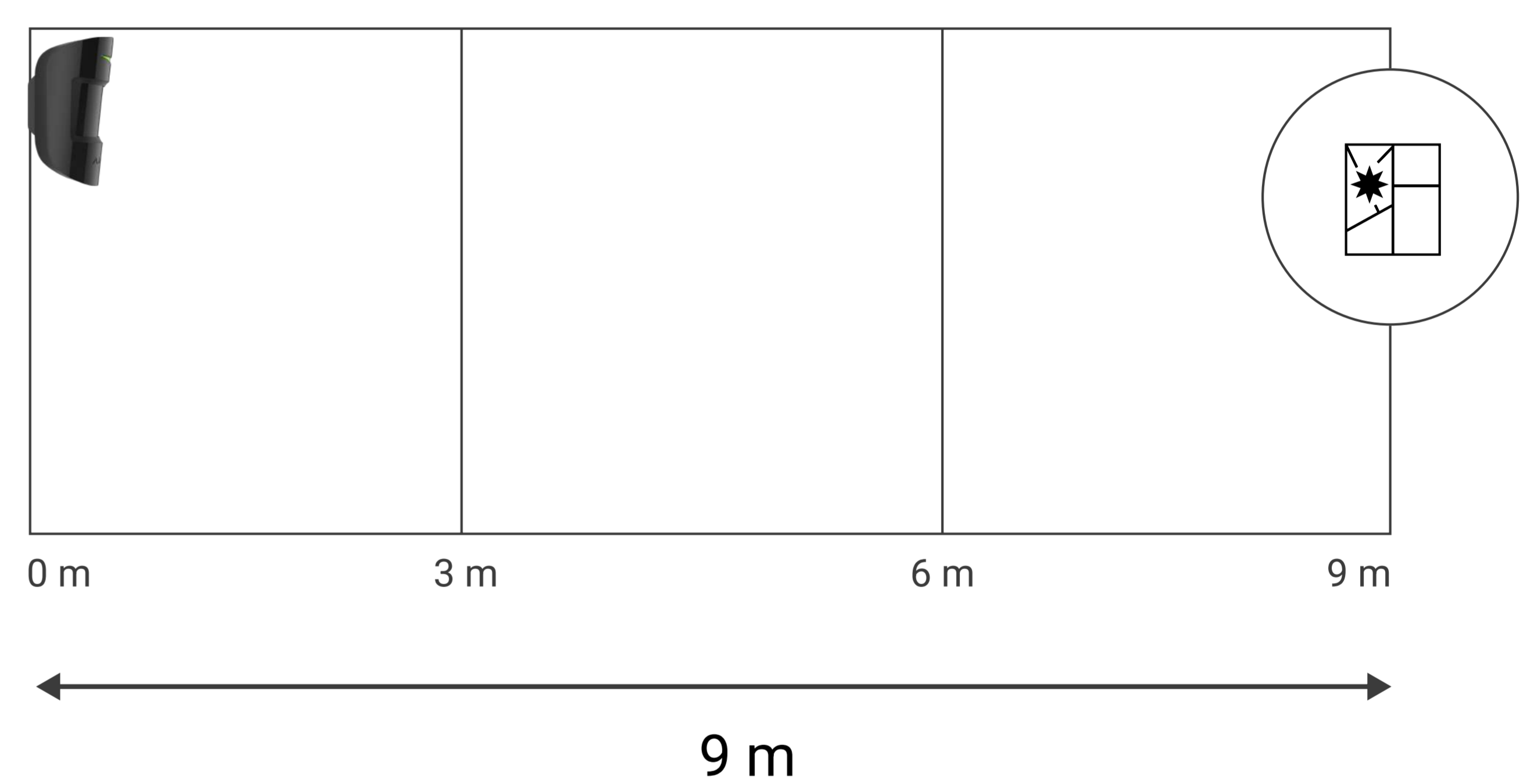
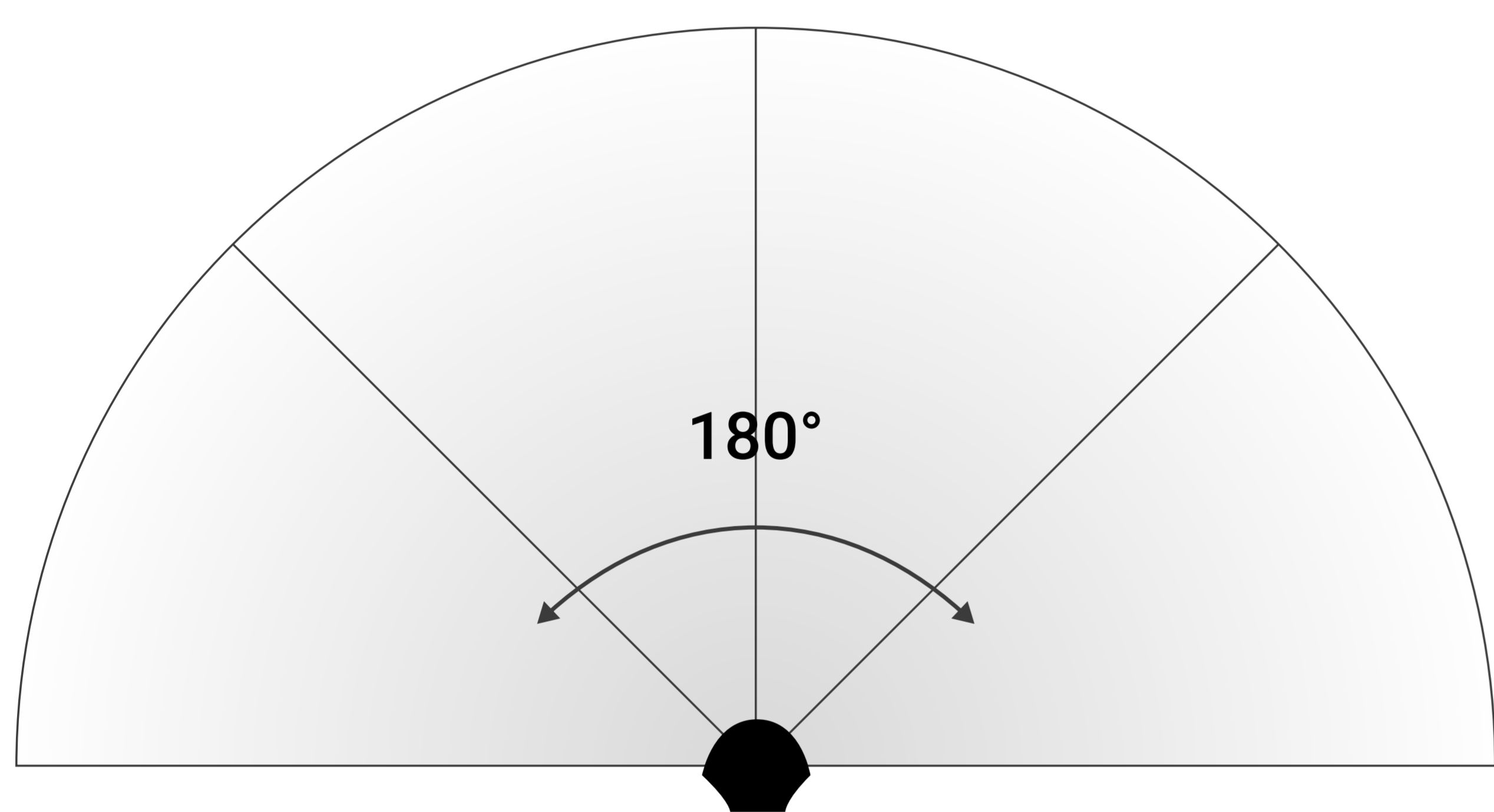
Fibra is a **two-way wired protocol**, ensuring fast and secure communication between hubs and devices. Based on a **bus connection method**, Fibra delivers instant data-rich alarms: security companies and users know which device was triggered, when and where it happened.

Fibra features **encryption** and **authentication** to prevent forgery, as well as **polling** to display device's status in real time. Supporting **up to 2,000 m** of wired connectivity, Fibra is ready to protect any facilities, and deliver **the best user experience** for both end users and installers.

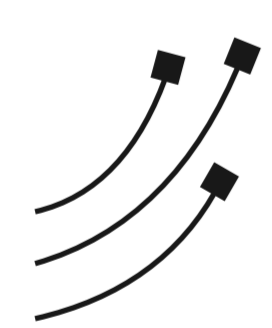
PIR sensor coverage angles



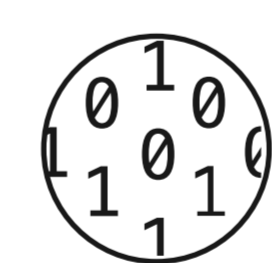
Glass break sensor coverage angle



System features



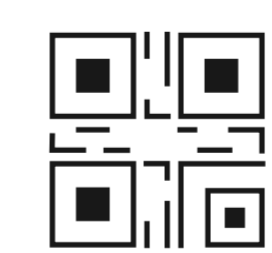
Connecting to a hub via bus method



Up to 2,000 m of two-way encrypted communication

12-300
sec

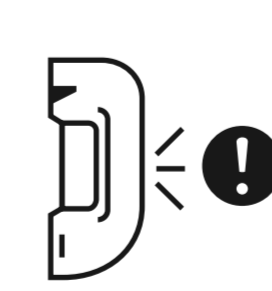
Adjustable polling interval



Pairing with security system via QR code or bus scanning

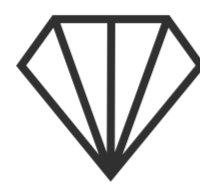


Configuring via a smartphone or desktop app



Tampering alarm notification

Technical specifications

Compliance with standards	EN 50131 (Grade 2) PD 6662:2017	Compatibility	Hubs Hub Hybrid (2G) Hub Hybrid (4G) Range extenders no
Communication with control panel	 Fibra communication technology Communication range up to 2,000 m with U/UTP cat.5, 4x2x0.51 cable Polling interval 12–300 s Adjusted by PRO or user with admin rights in the Ajax app	Detection	Sensing elements PIR sensor Electret microphone Motion detection distance up to 12 m Motion detection angles horizontal – 88.5° vertical – 80° Pet immunity weight: up to 20kg height: up to 50 cm SmartDetect software algorithm filtering false alarms Glass break detection distance up to 9 m Horizontal glass break detection angle 180° Sensitivity 3 levels Adjusted by PRO or user with admin rights in the Ajax app individually for motion and glass break sensors

<p>Power supply</p> <p>24 V$\overline{=}$, up to 60 μA</p>	<p>Installation</p> <p>Operating temperature range from -10°C to +40°C</p> <p>Operating humidity up to 75%</p> <p>Protection class IP50</p>
<p>Enclosure</p> <p>Colour white, black</p> <p>Dimensions 110 × 67 × 62 mm</p> <p>Weight 85 g</p> <p>Tampering alarm yes</p>	<p>Complete set</p> <p>CombiProtect Fibra SmartBracket mounting panel Installation kit Quick Start Guide</p>