

# DS-KAD706Y(-P)

Two-Wire Video & Audio Distributor

UD29992B

## Diagram References

### 1 Appearance

- ① Power Indicator
- ② Network Interface
- ③ Cascade Network Indicator
- ④ Network Indicator
- ⑤ Power Input
- ⑥ Reset Button
- ⑦ Cascade Interface
- ⑧ Terminals

### 2 Wiring

Wire the devices with power supply cables as picture shown.

Door station should be connected to CH6 of the video/audio distributor with two-wire cables.

Indoor Station should be connected to any terminal of CH1 to CH5 of the video/audio distributor with two-wire cables.

Caution: Make sure all the related equipment is power-off during the installation.

- The power output of CH1 to CH5: 24 VDC, Max. 6W.
- The power output of CH6: 24VDC, Max. 16 W.

### 3 Installation

Before you begin:

- Make sure the device in the package is in good condition.
- Make sure all the related equipment is power-off during the installation.
- Check the product specification for the installation environment.

#### ★ Wall Mounting

1. Fix the DIN rail onto the wall.

Note: You are required to utilize a matched DIN rail.

2. Press the red clip upward, and lock it to the DIN rail.

### 4 Tips for Cables and Installation

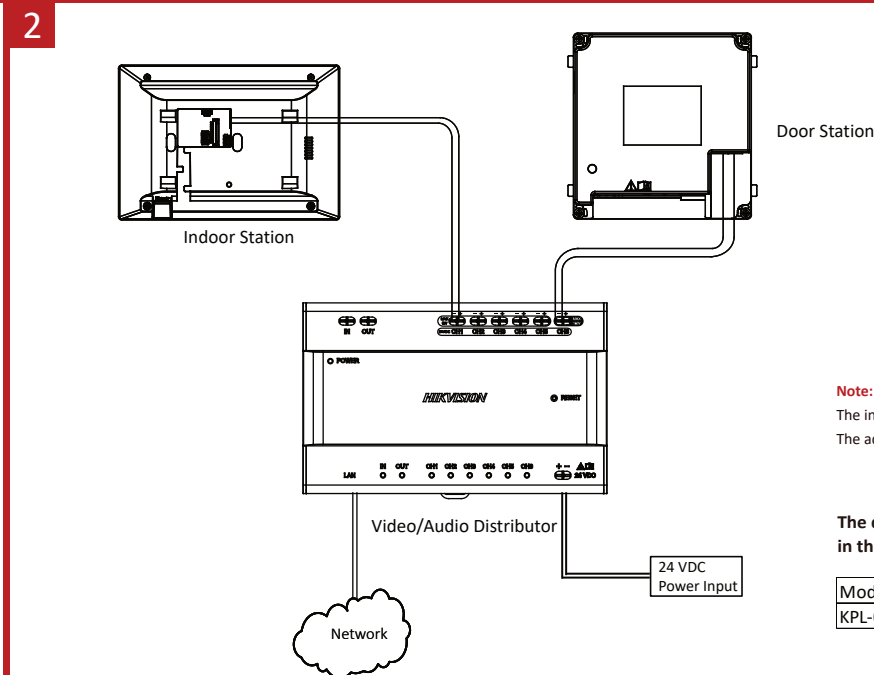
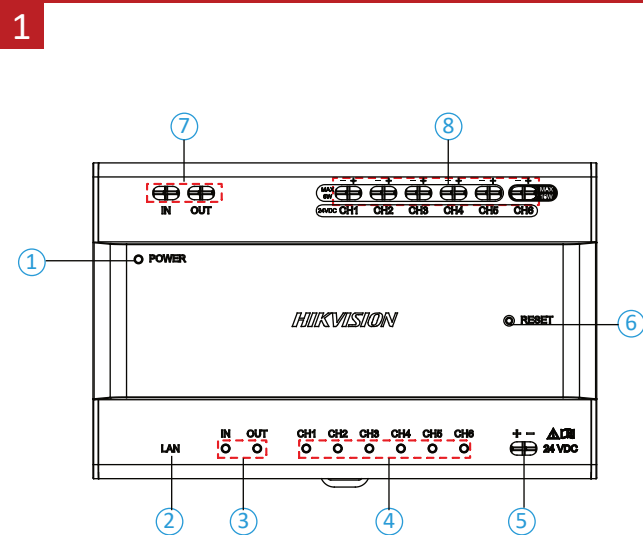
#### 1 Cables and Wiring

- When there are multiple cores in one parallel line, only one pair of closed cores are allowed to transmit signal. It is not allowed to use multiple pair of cores in one cable to transmit signal.
- When using parallel lines, it is suggested to use those with shielding layer. If dual core or multiple core parallel lines without shielding layer are routed, stability of signal transmission can be effected. You need to run a test before installation.
- Impedance of cable should not be over suggested value, or distributor cannot transmit enough power to indoor station or door station.
- Strong electricity and weak electricity cannot be wired in the same route, they need to be wired separately and the distance should be more than 0.5 meter.
- All the cables used need to follow the restriction in the following table.

#### 2 Device Installation

- Installation environment (temperature, moisture etc.) needs to follow requirements in specification or power output can be effected.
- Power consumption of modular door station (main module and sub modules) should be less than 12W. Please reach local technical support if you are not sure about power consumption of each module. Door station should be connected to CH6 of the video/audio distributor. If modular door station is connected to any terminal of CH1 to CH5, up to 3 sub modules can be connected.
- Indoor station should be connected to any terminal of CH1 to CH5 of the video/audio distributor.
- Up to 15 video/audio distributor can be cascaded. If more distributors are needed, you should cascade network switch supporting 1000Mbps. The whole 2-wire system can have up to 500 devices.
- Power supply must be certified by Hikvision.
- Indoor station needs to use firmware released after October, 2019.

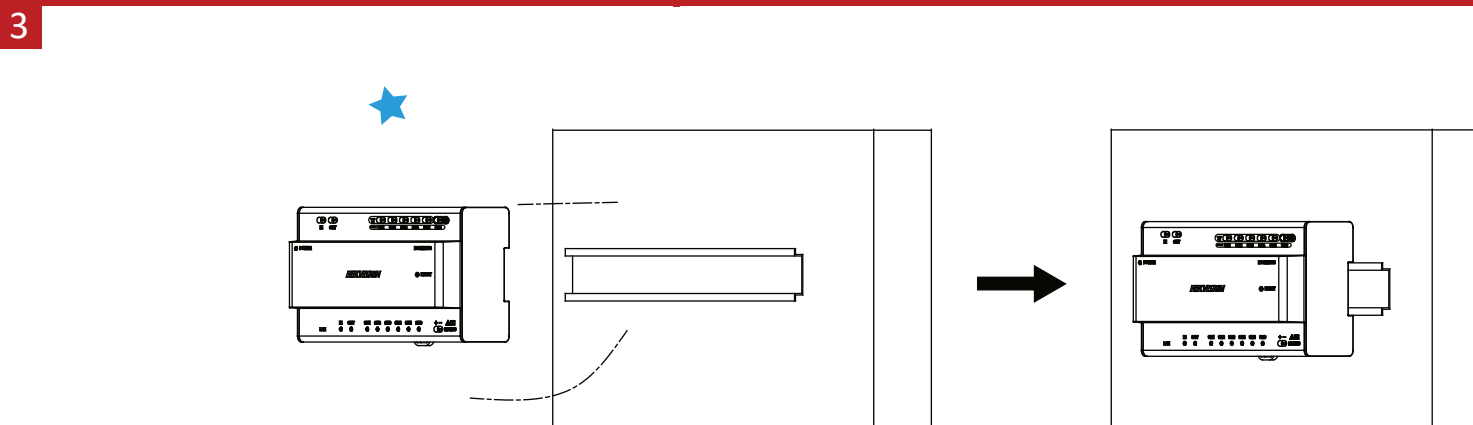
Note: The power source should be qualified and meet limited power source or PS2 requirements according to IEC 60950-1 or IEC 62368-1 standard.



Note:  
The indoor station and doorstation are not contained in the package.  
The adapter is contained in the DS-KAD706Y-P package.

The detail for the power adapter contained in the package is as follows:

Model	Manufacturer
KPL-060M-II	Channel Well Technology Co., Ltd



Routing Path	Twisted Pair			Parallel lines
	24AWG(0.2 mm <sup>2</sup> , 9 Ω/100 m)	20AWG(0.5 mm <sup>2</sup> , 3.5 Ω/100 m)	18AWG(0.8 mm <sup>2</sup> , 2.5 Ω/100 m)	
DS-KAD706Y - DS-KAD706Y-S	Transmission Distance ≤ 60 m	Transmission Distance ≤ 60 m	Transmission Distance ≤ 60 m	Transmission Distance ≤ 35 m
DS-KAD706Y - DS-KAD706Y	Transmission Distance ≤ 60 m	Transmission Distance ≤ 60 m	Transmission Distance ≤ 60 m	Transmission Distance ≤ 35 m
DS-KAD706Y-DS- KD8003Y-IME2	Transmission Distance ≤ 35 m	Transmission Distance ≤ 60 m	Transmission Distance ≤ 60 m	Transmission Distance ≤ 35 m
DS-KAD706Y-DS-KH6320Y-WTE2	Transmission Distance ≤ 35 m	Transmission Distance ≤ 60 m	Transmission Distance ≤ 60 m	Transmission Distance ≤ 35 m