

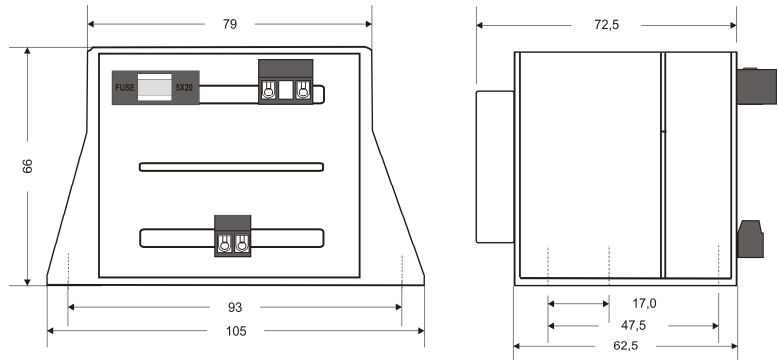
POWER: 100VA

Features

- Epoxy resin cast
- Two chambers bobbin
- Insulation primary-secondary: 4KV-1p
- Increased humidity resistance

Manufacturing standard: EN 61558

- Safety insulation transformer
- Max. ambient temperature: t_a 50°C
- Insulation class: B 130°C
- Double insulated
- Degree of protection: IP00
- Conditionally short-circuit safe



Application

- For power supply of safeguarding centres
- For power supply of other electrical devices

Application features

- Mechanical fixing possibility for direct
- Built-in primary fuse
- Connection with terminal block connectors
- Cross section of cables max. 2.5 mm²

Model number	Primary voltage	Secondary voltage	Secondary current
ME.TRE-100.75416/BSS 100VA	230V-50Hz	16,5 V	6,06 A
ME.TRE-100.75424/BSS 100VA	230V-50Hz	24 V	4,16 A
ME.TRE-100.75440/BSS 100VA	230V-50Hz	40 V	2,50 A
ME.TRE-100.75448/BSS 100VA	230V-50Hz	48 V	2,08 A
Prescribed primary circuit fuse: 630 mA T			
Tolerance of secondary voltage: 5%			