

DS-UAC-S1V

Multi-Mic Conference Speakerphone



- Adopts 8-mic array, picking up 360° clear sound with 5 meters range
- Adopts the HD speaker
- Supports steady and transient smart noise reduction, echo and squeal suppression, anti-reverberation to enhance speech quality and offer audio in high quality
- Supports USB cable connection, plug and play
- Compatible with leading online conferencing platform



▪ Specification

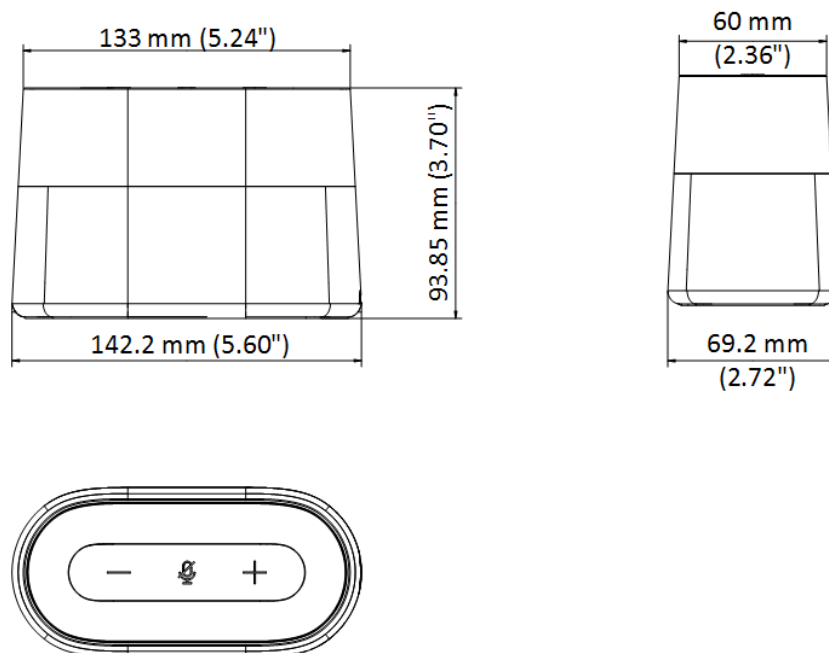
Microphone	
Type	MEMS
Direction	360° Omni-directional
Pickup Distance	In the radius up to 5 m
Amount	8
Frequency Response	100 Hz to 10 kHz
Sensitivity	-38 dBV/Pa
SNR	85 dB
Sampling Rate	16 kHz/32 kHz/48 kHz
Dynamic Range	102 dB
Acoustic Overload Point (AOP)	130 dB SPL
Power Supply Rejection Ratio (PSRR)	60 dB
Total Harmonic Distortion (THD)	0.15%@94 dB SPL, 1 kHz
Special Function/Algorithm	Beam forming
3A Algorithm	AEC, ANS, AGC
Speaker	
Rated Power	3 W
Maximum Output Loudness	81 dB SPL @1 m, 1 kHz
Speaker Range	In the radius up to 8 m
Effective Bandwidth (-10 dB)	150 Hz~15 kHz
Total Harmonic Distortion (THD)	< 1% @ 1 kHz
Sensitivity	76 dB@1 m, 1 W
Dimension	45 mm
Maximum Displacement	2 mm
Rear Cavity Volume	0.14 L
Impedance	4 Ω
Direction	Omni-directional
F0	260 Hz
Weight	118.5 g
Functions	
Audio Function	Supports steady noise reduction, such as the sound of air conditioner and fan, and transient noise reduction, such as the sound of falling, claps and steps. Supports echo and squeal suppression, anti-reverberation to enhance speech quality and offer audio in high quality
LED Indicator	Solid white: normally working Solid red: mute Green: Speaker volume
Communication	
Communication Method	USB cable
Wired Communication Distance	Cable length: 2 m
Battery	
Capacity	7.2 V/3700 mAh

Charging Temperature	0 °C~45 °C
Interface	
Cable	USB Type C to Type A interface
Device Interface	USB Type C
Compatibility	
System Requirement	Windows XP/7/8/10/11 Android 8.1 and above version Linux 4.14 and above version macOS 10.12 and above version
General	
Power	5 VDC ± 5%, max. 4.8 W
Operating Condition	-10 °C to 45 °C (14 °F to 113 °F). Humidity 90% or less (non-condensing)
Dimension	142.2 mm × 93.9 mm × 69.2 mm (5.60" × 3.70" × 2.72")
Package Dimension	273 mm × 140 mm × 82 mm (10.75" × 5.51" × 3.23")
Weight	Approx. 620 g (1.37 lb.)
With Package Weight	Approx. 1100 g (2.43 lb.)
Color	Silver gray
Packing List	Speakerphone × 1 USB Cable × 1 Quick Start Guide × 1

▪ Available Model

DS-UAC-S1V

▪ Dimension



Headquarters

No.555 Qianmo Road, Binjiang District,
Hangzhou 310051, China
T +86-571-8807-5998
www.hikvision.com



Follow us on social media to get the latest product and solution information.

