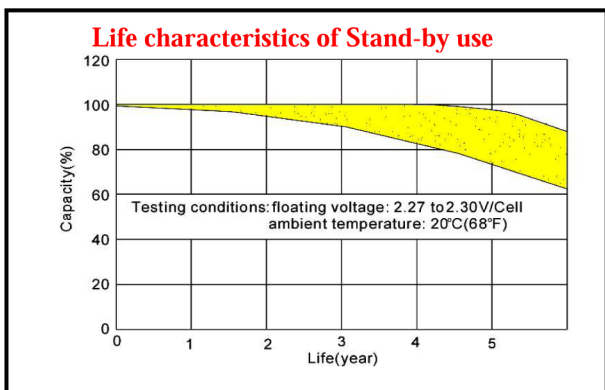
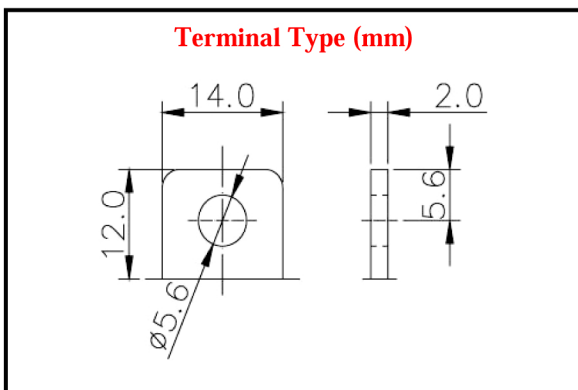
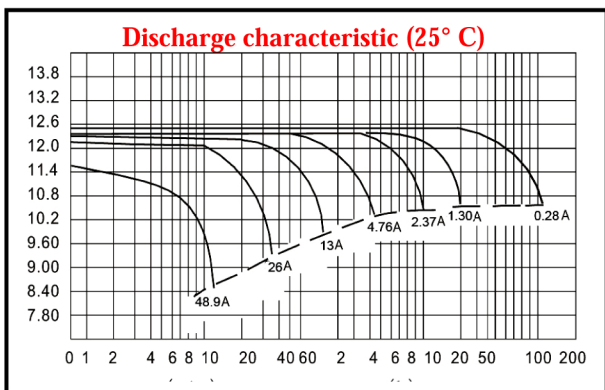
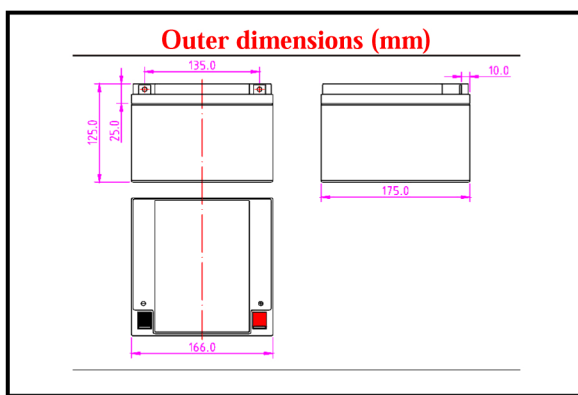


# BIGBAT



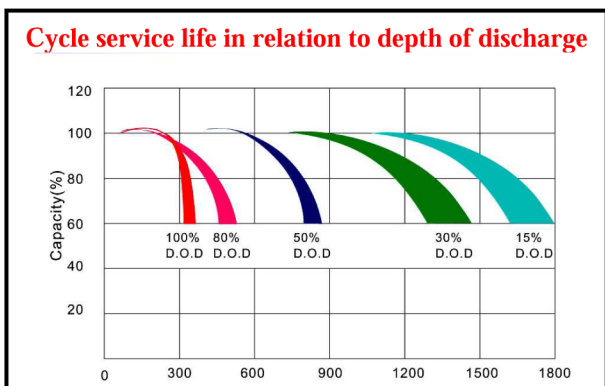
Weight Approx. 8.00 Kg

## LONG LIFE 12 V. 26 Ah.



**Characteristics**

Capacity 25° C (77° F)	20 hour rate (1.30 A)	26.0 AH
	10 hour rate (2.39 A)	23.9 AH
	5 hour rate (4.42 A)	22.1 AH
	1 hour rate (15.60 A)	15.6 AH
	1.5 hour discharge to 10.5V	11.7 A
Internal Resistance	Full charged battery at 25° C (77° F)	8 m Ω
Capacity effected by temperature (20 hour rate)	40° C (104° F)	102 %
	25° C (77° F)	100 %
	0° C (32° F)	85 %
	-15° C (5° F)	65 %
Self-discharge at 25° C (77° F)	Capacity after 3 month storage	91 %
	Capacity after 6 month storage	82 %
	Capacity after 12 month storage	64 %
Charge (constant voltage)	Cycle	Initial charging current less than 6.5 A Voltage 14.50 - 14.90V.
	Float	Voltage 13.60 - 13.80V.



"Merce non prodotta in UE" - Goods are not produced in UE"