

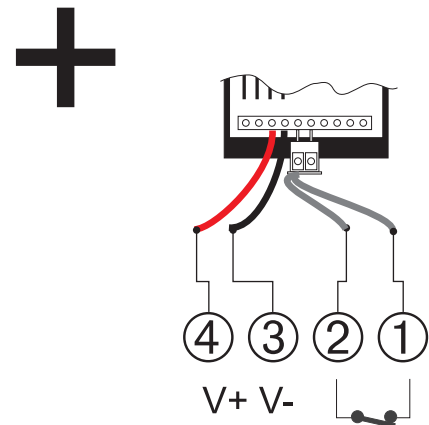
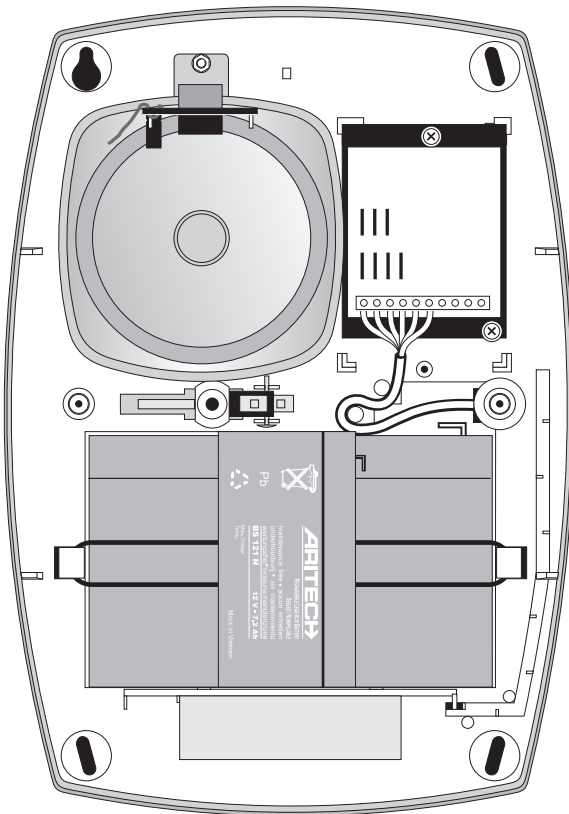
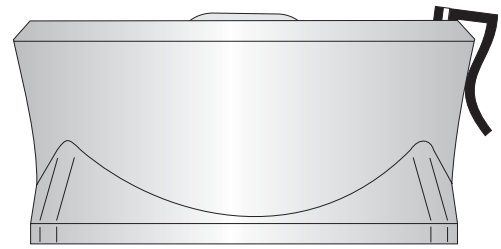
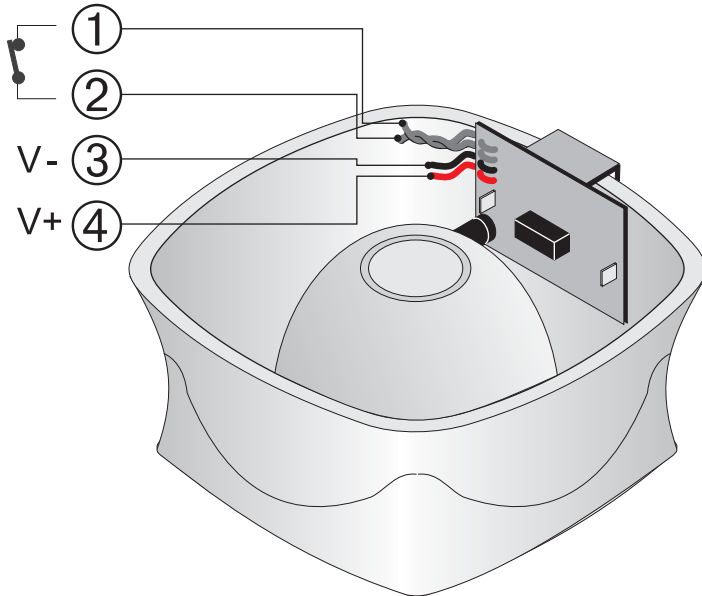


GE Interlogix

ARITECH

ASFD1 Anti Foam Detector Installation Manual

GB



TECHNICAL DATA

Power supply	13 V _{DC} - 14.2 V _{DC} (13.8 V nominal)
Operation current	I rest = 15 mA
I alarm	2 mA
Working temperature	-20 °C to + 55 °C
Humidity	max. 95 %
Relay output	33 Ohms