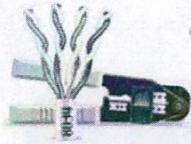


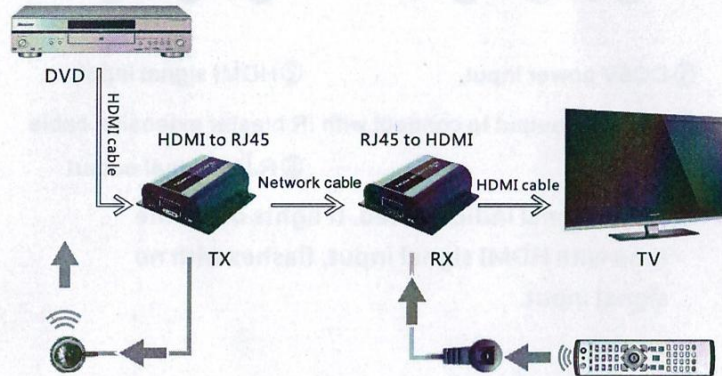
4. INSTALLATION PROCEDURES

4.1 How to make a Cat6 network cable?

Follow the standard of IEEE-568B: 1-Orange/white
2-Orange
3-Green/white
4-Blue
5-Blue/white
6-Green
7-Brown/white
8-Brown

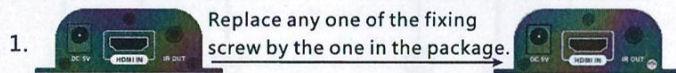


4.2. Connections



Reminder

Connect an earth terminal to the ground can help to prevent damage to equipment and circuit, and protect extender devices well.



1. Replace any one of the fixing screw by the one in the package.

2. Both TX and RX need to do grounding.

5. FAQ

Q1: No image output?

A1: Adjust RX " RESET " button.

Q2: RX "LINK" led is flashing all the time?

A2: Make sure network cable connection follows the way of 568B; Check whether TX has HDMI signal input; Reset TX or RX.

Q3: RX "LINK" led lights on all the time but no image output

A3: Adjust RX " RESET " button; Make sure HDMI cable is well connected with TV; Re connect the network cable and power on the receiver again.

6. SPECIFICATION

Items	Specifications	Note
Power supply	DC5V1A	2pcs
Resolution supported	480i@60Hz, 480p@60Hz, 576i@50Hz, 576p@50Hz, 720p@50/60Hz, 1080i@50/60Hz, 1080p@50/60 Hz ;	
Network cable	Low resistance and consumption oxygen-free copper core (CAT6, CAT6A, CAT7)	
Transmission length	Transmit length more than 50 m by CAT6 cable or higher level cable.	
IR remote control	Supports 20-60KHz	
Power consumption	TX:< 2W; RX: <2W	
Product dimension	LxWxH: 71.6X66.6X24.8mm	

Disclaimer

The product name and brand name may be registered trademark of related manufactures. ™ and ® may be omitted on the user manual. The pictures in this user manual are just for reference. The terms HDMI, HDMI High-Definition Multimedia Interface, and the HDMI Logo are trademarks or registered trademarks of HDMI Licensing Administrator, Inc. We reserve the rights to make changes without further notice to a product or system described herein to improve reliability, function or design.

HDMI™
HIGH-DEFINITION MULTIMEDIA INTERFACE

HDMI Extender Over Network Cable

User's manual

IMPORTANT SAFETY INSTRUCTIONS :

- Do not mix up HDMI to RJ45 sender and RJ45 to HDMI receiver before installation.
- Do not hot plug when it is working.
- Use DC5V/1A power supply only. Make sure specification matched if using adapters not supplied by factory.
- Static electricity will cause damage of the device, please do ESD protection when using the device.

1. PACKAGE CONTENTS



HDMI to LAN sender TX*1pc



LAN to HDMI receiver RX*1pc



DC5V/1A *2pcs



User's manual*1pc



IR blaster extender cable*1pc



IR receiver extension cable*1pc



screw *2pcs (for grounding)

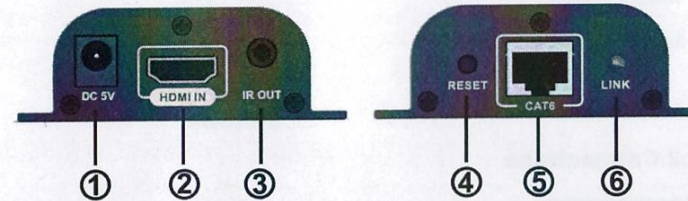
2. INSTALLATION REQUIREMENTS

- 2.1. HDMI source device (computer graphics card, DVD, PS3, HD monitoring equipment etc).
- 2.2. HDMI display device like SDTV, HDTV, projector with HDMI port.
- 2.3. UTP/STP Cat6/6A/7 cable, follow standard IEEE-568B.

- 2.4. Please use a network cable with a length ranging from 15 to 50 meters.

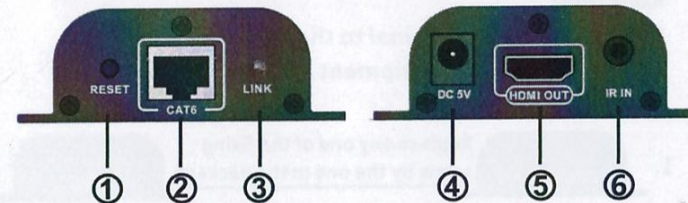
3. INTERFACES

3.1. HDMI to RJ45



- ① DC5V power input
- ② HDMI signal input
- ③ IR signal output to connect with IR blaster extension cable
- ④ RESET
- ⑤ RJ45 signal output
- ⑥ HDMI signal indicator led. It lights on all the time with HDMI signal input, flashes with no signal input.

3.2. RJ45 to HDMI



- ① RESET
- ② Rj45 signal input
- ③ Connection status indicator led. It lights on all the time with HDMI signal transmission, flashes with no signal transmission.
- ④ DC5V power input
- ⑤ HDMI signal output
- ⑥ IR signal input to connect with IR receiver extension cable