

# GEKO IRN

## LED ILLUMINATOR

### MAIN FEATURES

High efficiency heat sink body to ensure maximum LEDs durability  
 Strong aluminium structure  
 Vandalproof protection (IK10)  
 The illuminator is supplied in 24Vac/12-24Vdc or 90-240Vac  
 Beam patterns: 10°, 30°, 60°  
 Wavelengths: 850nm, 940nm and white light  
 Consumption: 30W  
 Adjustable light intensity  
 Adjustable built-in photocell  
 VOLT-free relay input for external activation  
 VOLT free relay output for Day/Night camera  
 Supplied with a wall-mount bracket  
 IP66/IP67

### DESCRIPTION

State of the art illuminator, which provides high reliability and excellent image quality. The GEKO lights the entire scene evenly, eliminating hotspots and underexposures, for unbeatable night-time images and secure surveillance of the area. The high efficiency heat sink body ensures maximum LED durability and protection against over-temperatures, whereas the front glass, made of special technopolymer, provides high infrared transmittance. The illuminators are protected against electrostatic discharges.

The illuminator is available in versions 24Vac/12-24Vdc or 100-240Vac with integrated power supply.

GEKO is supplied with a wall-mount bracket that rotates horizontally and vertically.

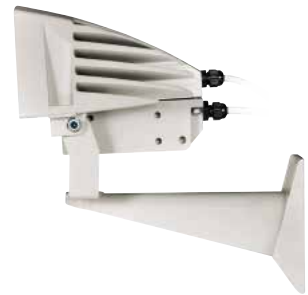
*The GEKO infrared illuminator guarantee is 5 years, while for GEKO with the white light is 2 years.*



GEKO IRN 24VAC/12-24VDC WHITE LIGHT



GEKO IRN 24VAC/12-24VDC



GEKO IRN 90-240VAC

### GEKO IRN - CONFIGURATION OPTIONS

	Beam patterns	Power supply	Wavelength		Version	
<b>IRN</b>	<b>10</b> Narrow	<b>A</b> 90-240Vac	<b>8</b> 850nm	<b>A</b>	<b>S</b> Single illuminator	<b>00</b>
	<b>30</b> Medium	<b>B</b> 12-24Vdc, 24Vac	<b>9</b> 940nm			
	<b>60</b> Wide		<b>W</b> White light			

**TECHNICAL DATA****GENERAL**

Supplied complete with support  
Adjustable built-in twilight sensor for automatic activation and deactivation  
LED SMD

**MECHANICAL**

Die cast aluminium body  
Dimensions: 187x251x242mm (7.4x9.9x9.5in)  
Unit weight:  
• 1.7kg (3.7lb) (from 12Vdc to 24Vdc, 24Vac)  
• 2.2kg (4.8lb) (from 100Vac to 240Vac)

**ELECTRICAL**

Power supply/Current consumption:  
• From 12Vdc to 24Vdc, 2.5A max  
• 24Vac, 2.5A max, 50/60Hz  
• From 100Vac to 240Vac, 1.5A max, 50/60Hz

Power supply voltages permitted tolerance:

- From 120Vac to 230Vac:  $\pm 10\%$
- 24Vac or 24Vdc:  $\pm 10\%$
- 12Vdc:  $\pm 5\%$

Input for activation by means of external dry contact

Dry contact output (Follow)

Multipolar cable L: 2m (6.56ft)

- Control: 4x0.34mm<sup>2</sup> (AWG22)
- Power supply from 12Vdc to 24Vdc, 24Vac: 2x0.75mm<sup>2</sup> (AWG18)
- Power supply from 100Vac to 240Vac: 3x0.75mm<sup>2</sup> (AWG18)

**ENVIRONMENT**

Indoor/Outdoor

Operating temperature: From -40°C (-40°F) to +60°C (140°F)

**CERTIFICATIONS**

Electrical safety: EN60950-1, IEC60950-1

Photobiological safety of lamps and lamp systems: EN62471

Electromagnetic compatibility: IEC CISPR22 (Class A), EN55022 (Class A), FCC Part 15 (Class A)

Immunity: EN50130-4

Outdoor installation: EN60950-22, IEC 60950-2

UL certification: cULus Listed (TYPE 4X) (version with a white light LED illuminator excluded)

Impact resistance: EN62262 (IK10)

IP protection degree: EN60529 (IP66/IP67)

**PACKAGE**

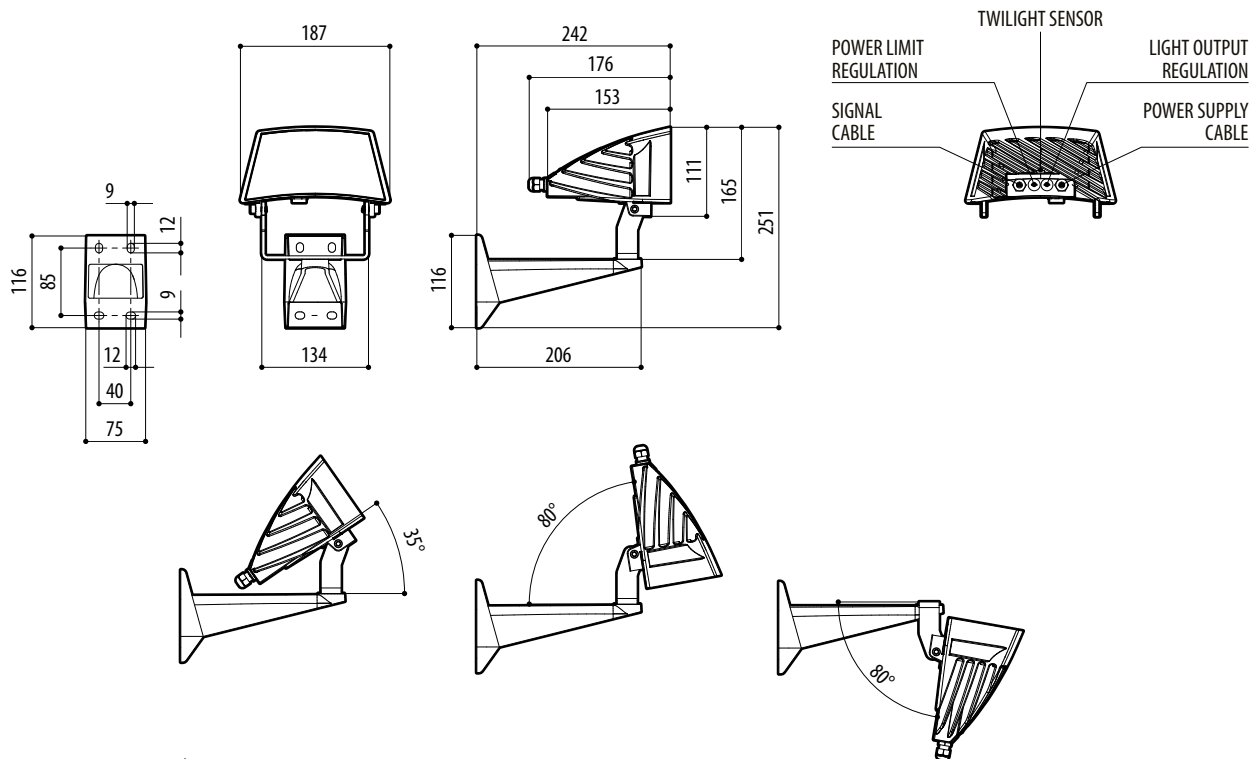
Model Number	Weight	Dimensions (WxHxL)	Master carton
IRN10B8AS00	3Kg (6.6lb)	30x24x16cm (12x9.5x6.3in)	-
IRN10A8AS00	3.5Kg (7.7lb)	30x24x16cm (12x9.5x6.3in)	-

**GEKO IRN - BEAM PATTERN AND ACHIEVABLE DISTANCES FOR ONE ILLUMINATOR**

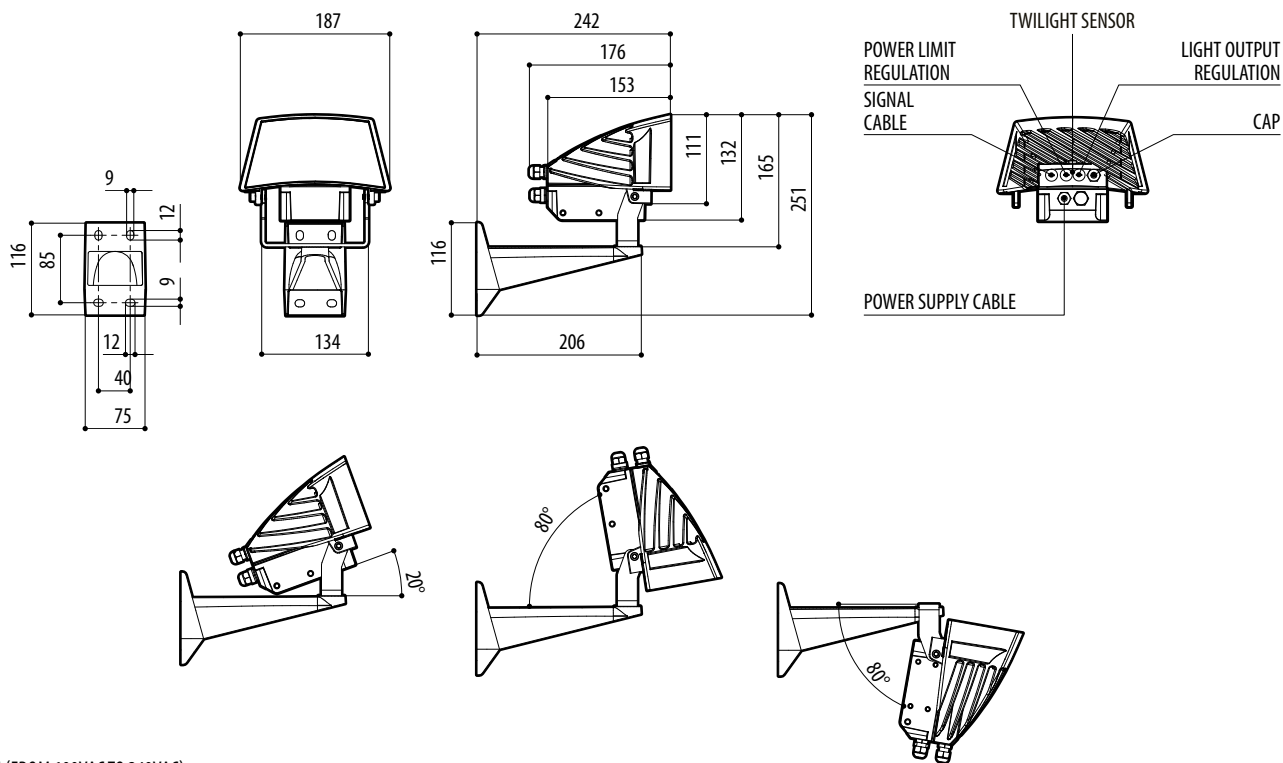
Horizontal and vertical beam patterns	Maximum distance		
	850nm	940nm	White light
10°	240m (787ft)	140m (460ft)	-
30°	130m (427ft)	80m (262ft)	120m (393ft) <sup>1</sup>
60°	80m (262ft)	60m (197ft)	90m (295ft) <sup>1</sup>

<sup>1</sup> Achievable distances with camera in Day mode (colour image)

The distances and the performance depend on the camera/lens used and on the environmental conditions.



GEKO IRN (FROM 12VDC TO 24VDC, 24VAC).



GEKO IRN (FROM 100VAC TO 240VAC).

